



# Engine number guide

 **Perkins®**

THE HEART OF EVERY GREAT MACHINE

# Understand your engine plate

## Know the parts you need for your engine

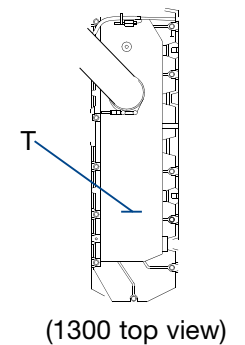
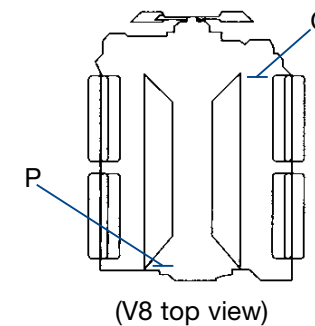
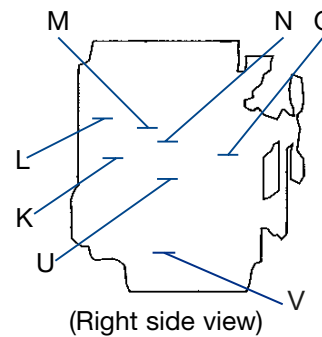
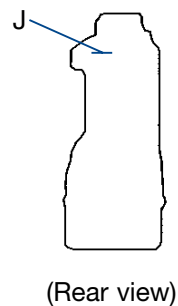
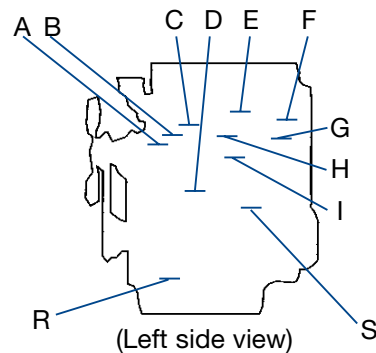
Over the years Perkins has produced hundreds of different engines and each can have many different variants.

So how do you know the exact specification of your engine? All the information you need about your engine is included in the serial number on your engine plate, which you can use to find the parts to fit on your engine.

## Where can I find my serial number?

The engine serial number is on a metal plate attached to the block, typically found on the left-hand side of the engine. The position of the engine plate varies across different engine series. You can find the position of your plate using the table below.

Engine type	Position	Engine type	Position	Engine type	Position
3.152	M	4.41	H	1104D	S
4.108	A	6.247	C or F	850 Series	D or R
4.154/200 Series	B	6.354	D	1204E	S
4.165	B or G	V8.540	Q	1206E	R
4.203	J or N	Peregrine/1300 Series	I or O	1300 Series	T
4.212/4.248/900 Series	C	V8.640	P	1500 Series	U
1106D including PK	R	700/800 Series	K	1600 Series	U
4.236	C or L	Perama/100/400 Series	O	1706	N
4.318	F	Phaser/1000/1100 (A/B/C) Series	H or J	2506/2806	V



# Engine serial number composition

The engine serial number is made up of several components. For example, full engine serial number could be PJ12345U123456P.

The engine serial number is the complete number shown. This is made up of:

- ① the list number or build list, typically 2 to 4 letters followed by 4 or 5 numbers
- ② a letter identifying the country
- ③ a series of numbers showing the build line, also called a serial number
- ④ a letter indicating the year of manufacture



## Year of manufacture code

This code indicates the calendar year of manufacture. The letters I,O,Q,R and Z will not be used									
A	1974	L	1984	Y	1994	K	2003	X	2013
B	1975	M	1985	A	1995	L	2004	Y	2014
C	1976	N	1986	B	1996	M	2005	A	2015
D	1977	P	1987	C	1997	N	2006	B	2016
E	1978	S	1988	D	1998	P	2007	C	2017
F	1979	T	1989	E	1/1/99-31/3/99	R <sup>1</sup> /S	2008	D	2018
G	1980	U	1990	F	1/4/99-31/12/99	T	2009	E	2019
H	1981	V	1991	G	2000	U	2010	F	2020
J	1982	W	1992	H	2001	V	2011	G	2021
K	1983	X	1993	J	2002	W	2012		

### Notes

<sup>1</sup> A number of engines were built with the letter 'R' as the year of manufacture code. In the middle of January 2008, the year of manufacture code was changed to the letter 'S'.  
If your full engine serial number ends with the letter 'R', Perkins Engines Company Limited will recognise the full engine serial number.

## Small/medium engines

<b>Phaser/1000 Series</b>	<b>BL</b> 1206E-E70TTA	<b>DD</b> 1103C-33T	<b>FL</b> 904J-E28T	<b>GV</b> 404A-22	<b>4.203 Series</b>
<b>AA</b> 1004-4	<b>BM</b> 1206F-E70TA	<b>DE</b> 1103C-33TA	<b>FM</b> 904J-E28TA	<b>4.165 Series</b>	<b>JD</b> 4.203
<b>AB</b> 1004-4T	<b>BN</b> 1206F-E70TTA	<b>DF</b> 1103B-33	<b>FT</b> 904D-E36TA	<b>HA</b> 4.165	<b>JE</b> D4.203
<b>E</b> 1004-4T	<b>BP</b> 1206A-E70TTA	<b>DG</b> 1103B-33T	<b>FW</b> 904J-E36TA <56kW	<b>400 Series</b>	<b>JF</b> G4.203
<b>AD</b> 1004e-4TW	<b>BQ</b> 1206D-E70TTA	<b>DJ</b> 1103A-33	<b>FX</b> 904J-E36TA >56kW	<b>HB</b> 402C-05	<b>JG</b> 4.2032
<b>AE</b> Fed. CC	<b>3.152 Series</b>	<b>DK</b> 1103A-33T	<b>4.154/200 Series</b>	<b>HD</b> 403C-07	<b>850 Series</b>
<b>AF</b> 1004-40S	<b>CA</b> P3	<b>4.108 Series</b>	<b>GA</b> 4.154	<b>HH</b> 403C-11	<b>JR</b> 854E-E34TA wall flow
<b>AG</b> 1004-4	<b>CB</b> 3.144	<b>ED</b> 4.108	<b>GB</b> 4.135	<b>HL</b> 403C-15	<b>JS</b> 854F-E34T wall flow
<b>AH</b> 1004-4T	<b>CC</b> P3.144	<b>400 Series</b>	<b>GC</b> 4.182	<b>HM</b> 403C-17	<b>JT</b> 854F-E34T through flow
<b>New 1000 Series</b>	<b>CD</b> 3.152	<b>EG</b> 402F-05	<b>GD</b> 4.25	<b>HN</b> 404C-15	<b>JU</b> 854F-E34TA
<b>AJ</b> 1004-40	<b>CE</b> D3.152	<b>EH</b> 403F-07	<b>GE</b> 4.3	<b>HP</b> 404C-22	<b>JV</b> 854F-E34TA wall flow
<b>AK</b> 1004-40T	<b>CF</b> G3152	<b>EJ</b> 403F-11	<b>400 Series</b>	<b>HR</b> 404C-22T	
<b>AL</b> 1004-40TA	<b>CG</b> P3.152	<b>EK</b> 403F-15	<b>GG</b> 402D-05	<b>400 Series</b>	
<b>AM</b> 1004-40T	<b>CJ</b> 3.1522	<b>EL</b> 403F-15T	<b>GH</b> 403D-07	<b>IG</b> 402J-05	
<b>AP</b> 1004-40	<b>CK</b> T3.152C	<b>EN</b> 404F-22	<b>GJ</b> 403D-11	<b>IH</b> 403J-07	
<b>AQ</b> 1004-40T	<b>CM</b> 3.1524	<b>EP</b> 404F-22T	<b>GK</b> 403D-15T	<b>IJ</b> 403J-11	
<b>AR</b> 1004-42	<b>CN</b> T3.1524	<b>EQ</b> 404F-E22T	<b>GL</b> 403D-15T	<b>IK</b> 403J-15	
<b>AS</b> 1004-42	<b>900 Series</b>	<b>ER</b> 404F-E22TA	<b>GM</b> 404D-15	<b>IS</b> 403J-17	
<b>AT</b> 1004-40TA	<b>CR</b> 903-27	<b>EW</b> 403F-E17T	<b>GN</b> 404D-22	<b>IF</b> 403J-17T	
<b>Prima/500 Series</b>	<b>CP</b> 903-27	<b>400 Series Gas</b>	<b>GP</b> 404D-22T	<b>IN</b> 404J-22	
<b>BA</b> 504-2	<b>CS</b> 903-25	<b>EX</b> 404A-22SG1	<b>GR</b> 404D-22TA	<b>IQ</b> 404J-E22T	
<b>BB</b> 502-2T	<b>CT</b> 903-27S	<b>900 Series</b>	<b>GS</b> 403D-17	<b>IR</b> 404J-E22TA	
<b>1200 Series</b>	<b>1100 Series</b>	<b>FE</b> 904D-E28T	<b>GT</b> 403A-11	<b>IW</b> 403J-E17T	
<b>BK</b> 1206E-E66TA	<b>DC</b> 1103C-33	<b>FJ</b> 904F-E28T	<b>GY</b> 403A-15	<b>IZ</b> 403J-11T	

<b>A</b>	Air-to-air chargecooled	<b>E</b>	Electronic	<b>H</b>	Horizontal	<b>T</b>	Turbocharged
<b>C</b>	Compensated	<b>F</b>	Federal emissions	<b>N</b>	Narrow front end	<b>U</b>	Unit injection
<b>CC</b>	Chargecooled	<b>FF</b>	Federal	<b>P</b>	Timing chain	<b>V</b>	V form
<b>D</b>	Direct injection	<b>G</b>	Gasoline/gas	<b>S</b>	Spark ignition	<b>W</b>	Water-to-air chargecooled

## Small/medium engines

<b>Perama/100 Series</b>	<b>LJ</b> T4.236	<b>NL</b> 1104D-44T	<b>RT</b> 1104A-44TA	<b>700 Series</b>	<b>XK</b> 1103D-33
<b>KA</b> 102.04	<b>LM</b> 4.41	<b>NM</b> 1104D-44TA	<b>Sabre CC6.68</b>	<b>UA</b> 704.30	<b>XL</b> 1103D-33T
<b>KB</b> 103.06	<b>1100 Series</b>	<b>NP</b> 1104D-E44T	<b>SD</b> Sabre CC6.68	<b>UB</b> 704.26	<b>XM</b> 1103D-33TA
<b>KC</b> 103.09	<b>LN</b> 1103A-33G1	<b>NR</b> 1104D-E44TA	<b>1200 Series</b>	<b>UC</b> 704.30	<b>Phaser/1000 Series</b>
<b>KD</b> 103.10	<b>LQ</b> 1103A-33TG2	<b>PJ</b> 1106D-E66TA	<b>ST</b> 1204J-E44TA	<b>800 Series</b>	<b>YA</b> 1006-6
<b>KE</b> 103.15	<b>LR</b> 1104A-44TG2	<b>PK</b> 1106C-E66TA <sup>1</sup>	<b>SU</b> 1204J-E44TTA	<b>UE</b> 804C-33	<b>YB</b> 1006-6T
<b>KF</b> 104.19	<b>LT</b> 1106-70TG1	<b>PP</b> 1106A-70T	<b>6.354 Series</b>	<b>UK</b> 804D-33	<b>YC</b> 1006-6T
<b>KG</b> 103.12	<b>LU</b> 1106A-70TAG2	<b>PR</b> 1106A-70TA	<b>TC</b> 6.354	<b>UL</b> 804D-33T	<b>YD</b> 1006e-6T
<b>KH</b> 103.13	<b>LV</b> 1106A-70TAG3	<b>PT</b> 1106C-70TA	<b>TD</b> H6.354	<b>UM</b> 804D-33TA	<b>YE</b> Fed. CC
<b>KJ</b> 103.15 DI	<b>1200 Series</b>	<b>PU</b> 1106D-70TA	<b>TE</b> T6.354	<b>1100 Series</b>	<b>YF</b> 1006-60S
<b>KK</b> 104.19 DI	<b>MK</b> 1204E-E44TA	<b>PV</b> 1106C-E70TA	<b>TF</b> HT6.354	<b>VK</b> 1106C-E60TA	<b>New 1000 Series</b>
<b>KL</b> 103.07	<b>ML</b> 1204E-E44TTA	<b>PW</b> 1106D-E70TA	<b>TG</b> 6.3541	<b>1200 Series</b>	<b>YG</b> 1006-60
<b>KN</b> 102.05	<b>MT</b> 1204F-E44TA	<b>6.247 Series</b>	<b>TH</b> T6.3541	<b>VL</b> 1206J-E70TA	<b>YH</b> 1006-60T
<b>KR</b> 104.22	DOC and SCR	<b>RA</b> 6.247	<b>TJ</b> 6.3542	<b>VM</b> 1206J-E70TTA	<b>YJ</b> 1006-60TA
<b>KS</b> 103.11	<b>MU</b> 1204F-E44TTA	<b>1100 Series</b>	<b>TP</b> T6.3543	<b>V8.540 Series</b>	<b>YK</b> 1006-60TW
<b>4.236 Series</b>	DOC and SCR	<b>RE</b> 1104C-44	<b>TR</b> 6.372	<b>XA</b> V8.510	<b>V8.640 Series</b>
<b>LA</b> 4.212	<b>MW</b> 1204F-E44TTA	<b>RF</b> 1104C-E44	<b>TT</b> TC6.3541	<b>XB</b> TV8.510	<b>ZA</b> V8.640
<b>LB</b> G4.212	DOC,DPF and SCR	<b>RG</b> 1104C-44T	<b>TU</b> T6.3544	<b>XC</b> V8.540	<b>ZB</b> TV8.640
<b>LD</b> 4.236	<b>4.318</b>	<b>RH</b> 1104C-E44T	<b>TV</b> 6.3724	<b>XE</b> TV8.540	
<b>LE</b> G4.236	<b>NC</b> 4.318	<b>RJ</b> 1104C-44TA	<b>TW</b> 6.3544	<b>1100 Series</b>	
<b>LF</b> 4.428	<b>ND</b> 4.3182	<b>RK</b> 1104C-E44TA	<b>TX</b> C6.3544	<b>XG</b> 1103D-E33	
<b>LG</b> 4.2482	<b>NJ<sup>2</sup>/NR</b> 1104D-E44TA	<b>RR</b> 1104A-44	<b>TY</b> H6.3544	<b>XH</b> 1103D-E33T	
<b>LH</b> <b>C4.236</b>	<b>NK</b> 1104D-44	<b>RS</b> 1104A-44T	<b>TZ</b> HT6.3544	<b>XJ</b> 1103D-E33TA	

<b>A</b>	Air-to-air chargecooled	<b>E</b>	Electronic	<b>H</b>	Horizontal	<b>T</b>	Turbocharged
<b>C</b>	Compensated	<b>F</b>	Federal emissions	<b>N</b>	Narrow front end	<b>U</b>	Unit injection
<b>CC</b>	Chargecooled	<b>FF</b>	Federal	<b>P</b>	Timing chain	<b>V</b>	V form
<b>D</b>	Direct Injection	<b>G</b>	Gasoline/gas	<b>S</b>	Spark ignition	<b>W</b>	Water-to-air chargecooled

### Notes

<sup>1</sup> PK Series engines are derived from the 1106D range platform but are only Stage II EU 2007 generator sets emissions compliant.

<sup>2</sup> Not available from 2014.

## Large engines

4000 Series	DGK 4012-46TWG2 (A)	JG 2806C/D-E18TA	1700 Series	1300 Series Peregrine	1300 Series
DIE 4006TESI	DGN 4012-46TWG3 (A)	JGA 2806A/C/D- E18TAG1(A)	NGK 1706J-E93TA	WB 1306-8T	WGD 1306A-E87TAG3
DIF 4006TESI	DGV 4012-46TWG4 (A)	JGB 2806A-E18TAG2	NGW 1706D-E93TA	WC 1306-8TA	WGE 1306A-E87TAG4
DIH 4006TRS	DGP 4012TEG	JGD 2806A-E18TAG2	<b>2200 Series</b>	WD 1306-7T pre June 2010	WGH 1306A-E87TAG6
DIJ 4006TRS	DGR 4012TEG2	JGF 2806A-E18TTAG5	PK3 2206D-E13TA	WD 1306-E87T/TA post June 2010	<b>1600 Series</b>
DGA 4006TAG1	DIE 4016TESI	JGK 2806F-E18TAG1	PP3 2206F/J-E13TA	WE 1306-7TA	XGA 1606D-E93TAG1
DGB 4006-23TAG2 (A)	DIF 4016TESI	JGL 2806C-E18TTAG6	PP4 2206F-E13TA (ARD)	WF 1306-8T NGD	XGB 1606D-E93TAG2
DGD 4006-23TAG3 (A)	DIG 4016E61-TRS	JGM 2806C-E18TTAG7	<b>2500 Series</b>	WG 1306-8TA NGD pre Jan 2010	XGD 1606D-E93TAG3
DGM 4006TGW	DIH 4016TRS	JGY 2806C-E18TAG2	PK5 2506D-E15TA	WH 1306-9T NGD	XGE 1606A/D-E93TAG4
DGP 4006TEG	DIJ 4016TRS	JGZ 2806C-E18TAG3	PP5 2506F/J-E15TA	WJ 1306-9TA NGD	XGF 1606A/D-E93TAG5
DIE 4008TESI	DGL 4016TAG	<b>2400 Series</b>	<b>2800 Series</b>	WG 1306C-E87TA post Jan 2010	<b>1700 Series</b>
DIF 4008TESI	DGA 4016TAG1 (A)	KHG 2406J-E13TA	P84 2806F/J-E18TA	WH 1306-9T NGD	YGA 1706A-E93TAG1
DIH 4008TRS	DGB 4016TAG2 (A)	<b>1500 Series</b>	PK8 2806D-E18TA	WJ 1306-9TA NGD	YGB 1706A-E93TAG
DIJ 4008TRS	DGK 4016TWG2	LGA 1506C-E88TAG1	PP8 2806J-E18TTA	WK 1306-E76T	YGC 1706D-E93TAG1
DGL 4008TAG	DGR 4016TEG1/2 (A)	LGB 1506A/C-E88TAG1	<b>1500 Series</b>	WL 1306-E76TA	YGD 1706D-E93TAG2
DGA 4008TAG (A)	DGP 4016-61TRG1 (A)	LGD 1506A/C/D- E15TAG2	PK9 1506D-E88TA	WM 1306-E87T	YGF 1706J-E93TAG2
DGB 4008TAG (A)	DGW 4016-61TRG2 (A)	LGE 1506A-E88TAG4	<b>2800 Series</b>	WN 1306-E87TA	
DGK 4008TWG2	DGX 4016-61TRG3 (A)	LGF 1506A/D-E88TAG5	R5H 2506J-E15TA	WP 1306-E76T	
DIE 4012TESI	<b>2300 Series</b>	<b>2500 Series</b>	R8H 2806J-E18TA	WQ 1306-E76TA	
DIF 4012TESI	FGA 2306TAG1	MGA 2506A/C-E15TAG1	<b>2200 Series</b>	WR 1306-E87T	
DGA 4012-46TAG1 (A)	FGB 2306TAG2	MGB 2506A/C/D-E15TAG2	TGB 2206A/C/D- E13TAG2	WS 1306-E87TA EP pre Jan 2010 IOPU pre June 2010	
DGB 4012-46TAG2 (A)	FGD 2306TAG3	MGD 2506A/C-E15TAG3	TGD 2206A/C/D- E13TAG3		
DGD 4012-46TAG3 (A)	<b>2800 Series</b>	MGE 2506A/C-E15TAG4	TGF 2206A-E13TAG5		
DGL 4012-46TAG0A	HGA 2806TAG1 (16 litre)		TGH 2206A-E13TAG6		
DGM 4012TGW	HGB 2806TAG2 (16 litre)		TGK 2206A-E13TAG		

<b>61</b>	Capacity in litres	<b>CHP</b>	Combined heat and power	<b>I</b>	Intercooled	<b>S (SI)</b>	Spark ignition
<b>A</b>	Air-to-air	<b>E</b>	External water circuit	<b>M</b>	Marine	<b>T</b>	Turbocharged
<b>ARD</b>	Aftertreatment regeneration device	<b>E</b>	Electronic	<b>R</b>	Remote cooled	<b>W</b>	Water
		<b>G</b>	Genset				

## 1300 Series

Build list ID pre January 2010	Build list ID from January 2010	Product type	Speed
<b>1300 Series EP</b>			
WS5360	WGDF7002	1306C-E87TAG3	1500 rpm
WS5361	WGEF7003	1306C-E87TAG4	1500 rpm
WS5358	WGFF7007	1306C-E87TAG5	1500 rpm
WS5362	WGHF7004	1306C-E87TAG6	1500 rpm
WS5359	WGDF7008	1306C-E87TAG3	1800 rpm
WS5357	WGEF7009	1306C-E87TAG4	1800 rpm
WS5363	WGDF7005	1306C-E87TAG3	1500/1800 rpm
WS5364	WGEF7006	1306C-E87TAG4	1500/1800 rpm

Build list ID	Product type
<b>1300 Series</b>	
WGDF	1306A-E87TAG3
WGEF	1306A-E87TAG4
WGHF	1306A-E87TAG6

Build list ID pre January 2010	Build list ID from January 2010	Product type	Speed
<b>1300 Series IOPU</b>			
WR4424	WDMF7100	1306-E87T	153.0 @ 2200
WP4423	WDNF7101	1306-E76T	156.5 @ 2400
WR4425	WDPF7102	1306-E87T	168.0 @ 2200
WS4426	WDQF7103	1306-E87TA	186.5 @ 2000
WS4427	WDRF7104	1306-E87TA	186.5 @ 2200
WS4580	WDSF7105	1306-E87TA	197.5 @ 2100
WS4428	WDTF7106	1306-E87TA	197.5 @ 2100
WS5093	WDUF7107	1306-E87TA	197.5 @ 2200
WS5095	WDVF7108	1306-E87TA	197.5 @ 2200
WS5405	WDWF7109	1306-E87TA	223.5 @ 2200
WS5404	WDXF7110	1306-E87TA	246.0 @ 2000

## 1500 Series

Build list ID	Product type
<b>1500 Series EP</b>	
LGAF	1506A-E88TAG1
LGBF	1506A/C-E88TAG2
LGDF	1506A/C/D-E88TAG3
LGEF	1506A-E88TAG4
LGFF	1506A/D-E88TAG5

## 1600 Series

Build list ID	Product type
<b>1600 Series EP</b>	
XGAF	1606D-E93TAG1
XGBF	1606D-E93TAG2
XGDF	1606D-E93TAG3
XGEF	1606A/D-E93TAG4
XGFF	1606A/D-E93TAG5

## 2000 Series Electronic

Build list ID pre January 2009	Build list ID from January 2009	Product type
<b>2200 Series</b>		
Not applicable	TGBF	2206A/C/D-E13TAG2 (13 litre)
Not applicable	TGDF	2206A/C/D-E13TAG3 (13 litre)
Not applicable	TGFF	2206A-E13TAG5 (13 litre)
Not applicable	TGHF	2206A-E13TAG6 (13 litre)
<b>2300 Series</b>		
FGA06	FGAF	2306TAG1 (14 litre)
FGB06	FGBF	2306TAG2 (14 litre)
FGD06	FGDF	2306TAG3 (14 litre)

Build list ID pre January 2008	Build list ID from January 2008	Product type
<b>2500 Series</b>		
MGA06	MGAF	2506A/C-E15TAG1 (15 litre)
MGB06	MGBF	2506A/C/D-E15TAG2 (15 litre)
MGD06	MGDF	2506A/C-E15TAG3 (15 litre)
MGE06	MGEF	2506A/C-E15TAG4 (15 litre)
<b>2800 Series</b>		
HGA06	Not applicable	2806TAG1 (16 litre)
HGB06	Not applicable	2806TAG2 (16 litre)
JGA06	JGAF	2806A/C-E18TAG1 (A) (18 litre)
JGB06	JGBF	2806A-E18TAG2 (18 litre)
JGD06	JGDF	2806A/C-E18TAG3 (18 litre)
Not applicable	JGYF	2806A-E18TAG2 (18 litre)
Not applicable	JGZF	2806A-E18TAG3 (18 litre)

Build list ID pre February 2014	Build list ID from February 2014	Product type
<b>2800 Series</b>		
Not applicable	JGAF	2806D-E18TAG1 (A) (18 litre)



## 4000 Series - Diesel

Build list ID pre January 2008	Build list ID from January 2008	Product type
<b>4006</b>		
DGA06	Not applicable	4006TAG1
DGB06	DGBF	4006/4006-23TAG2 (A)
DGD06	DGDF	4006/4006-23TAG3 (A)
DGM06	Not applicable	4006TWG
DGP06	Not applicable	4006TEG
<b>4008</b>		
DGL08	DGLH	4008TAG
DGA08	DGAH	4008TAG1 (A)
DGB08	DGBH	4008TAG2 (A)
DGK08	Not applicable	4008TWG2

Build list ID pre January 2016	Build list ID from January 2016	Product type
<b>4008</b>		
Not applicable	DGAH	4008-30TAG1
Not applicable	DGBH	4008-30TAG2
Not applicable	DGDH	4008-30TAG3

Build list ID pre January 2008	Build list ID from January 2008	Product type
<b>4012</b>		
DGL12	Not applicable	4012TAG
DGA12	DGAM	4012/4012-46TAG1 (A)
DGB12	DGBM	4012/4012-46TAG2 (A)
DGD12	DGDM	4012-46TAG3 (A)
N/A	DGLM	4012-46TAG0A
DGM12	Not applicable	4012 TWG
DGK12	DGKM	4012/4012-46TWG2 (A)
DGN12	DGNM	4012-46TWG3 (A)
N/A	DGVM	4012-46TWG4 (A)
DGP12	Not applicable	4012TEG
DGR12	Not applicable	4012TEG2
<b>4016</b>		
DGL16	DGLR	4016TAG
DGA16	DGAR	4016TAG1 (A)
DGB16	DGBR	4016TAG2 (A)
DGK16	DGKR	4016TWG2
DGR16	DGRR	4016TEG1/2 (A)
Not applicable	DGPR (Introduced July 2010)	4016-61 TRG1 (A)
Not applicable	DGWR (Introduced July 2010)	4016-61 TRG2 (A)
Not applicable	DGXR (Introduced July 2010)	4016-61 TRG3 (A)

### Notes

- A letter 'A' after the engine type equals the first evolution of that product, eg TAG1A
- The letters 'DBB' in the serial number signify a long engine replacement in a diesel or gas 4000 Series engine
- DPE' - new internal build list numbers

## 4000 Series - Gas

Build list ID pre January 2008	Build list ID from January 2008	Product type
<b>4006</b>		
DIE06	DIEF	4006TAG1
DIF06	DIFF	4006TESI
DIH06	DIHF	4006TRS
DIJ06	Not applicable	4006TRS
<b>4008</b>		
DIE08	DIEH	4008TESI
DIF08	DIFH	4008TESI
DIH08	DIHH	4008TRS
DIJ08	DIJH	4008TRS
<b>4012</b>		
DIE12	DIEM	4012TESI
DIF12	DIFM	4012TESI
<b>4016</b>		
DIE16	DIER	4016TESI
DIF16	DIFR	4016TESI
DIG16	DIGR	4016E61-TRS
Not applicable	DIHR (Build list ID from Jan 2009)	4016TRS
Not applicable	DIJR (Build list ID from Jan 2009)	4016TRS

### Notes

- A letter 'A' after the engine type equals the first evolution of that product, eg TAG1A
- The letters 'DBB' in the serial number signify a long engine replacement in a diesel or gas 4000 Series engine
- DPE' - new internal build list numbers

## 2000/3000 Series Mechanical

<b>Family: SA Automotive</b>	<b>SBB</b> 2000 Series	<b>Family: SI Gas</b>	<b>Family: SF Forklift</b>	<b>SGF</b> TG	<b>SPB</b> T1
<b>SAA</b> 300TX	<b>SBC</b> 3008 Series	<b>SIA</b> SI	<b>SFA</b> T1	<b>SGG</b> TG1A	<b>SPC</b> T2
<b>SAB</b> 320MX	<b>SBD</b> 3012 Series	<b>SIB</b> SI Gas Unit	<b>SFB</b> T2	<b>SGH</b> TG2A	<b>SPD</b> TA
<b>SAC</b> 335TX	<b>Family: SL Long Engine</b>	<b>SIC</b> TSI CHP	<b>SFC</b> TA	<b>SGJ</b> TTAG	<b>SPE</b> TAP
<b>SAE</b> 350E	<b>SLA</b> TX / Euro 2	<b>SID</b> TSI Gas Unit	<b>SFD</b> TW	<b>SGK</b> TWG2	<b>SPJ</b> TP
<b>SAG</b> 375TX	<b>SLB</b> 2000 Series	<b>SIE</b> TWSI CHP	<b>Family: SG Generator set</b>	<b>SGL</b> TAG	<b>SPK</b> TTA
<b>SAJ</b> 340TX2	<b>SLC</b> 3008 Series	<b>SIF</b> TWSI Gas Unit	<b>SGA</b> TAG1A	<b>SGM</b> TAG5	<b>SPL</b> TTAP
<b>SAK</b> 380TX2	<b>SLD</b> 3012 Series	<b>Family: SM Marine</b>	<b>SGB</b> TAG2	<b>Family: SH Horizontal</b>	<b>SPM</b> TW
<b>SAL</b> 410TX2	<b>SLE</b> 3008 Marine	<b>SMA</b> M600T1	<b>SGC</b> TAG2A	<b>SHA</b> TWH	<b>SPP</b> TW1
<b>Family: SA Automotive</b>	<b>SLG</b> 3008 / 3012SI	<b>SMB</b> M700T1	<b>SGD</b> TAG3A	<b>Family: SP Plant</b>	
<b>SBA</b> TX		<b>SMC</b> M800T1	<b>SGE</b> TAG4	<b>SPA</b> T	

## Shrewsbury Product (produced pre 1994)

8BT, 8CTA, 8DTW	Eagle
8CTA	Eagle TX
8BT, 8CTA/TTA, 8DTW, 8ESI, 8GTW-H	2000 Series
4AT, 4BTA, 4ESI	3008/CV8
4CTi	Condor Marine
6ATA, 6CTW, 6DT, 6ESI	3012/CV12

Engine type	Position
Eagle/2000 Series	<b>R</b>
3008 Series	<b>T</b>
3012 Series	<b>S</b>
2300/2500/2800 Series	<b>W</b>
4006/4008 Series	<b>U</b>
4012/4016	<b>V or X</b>

